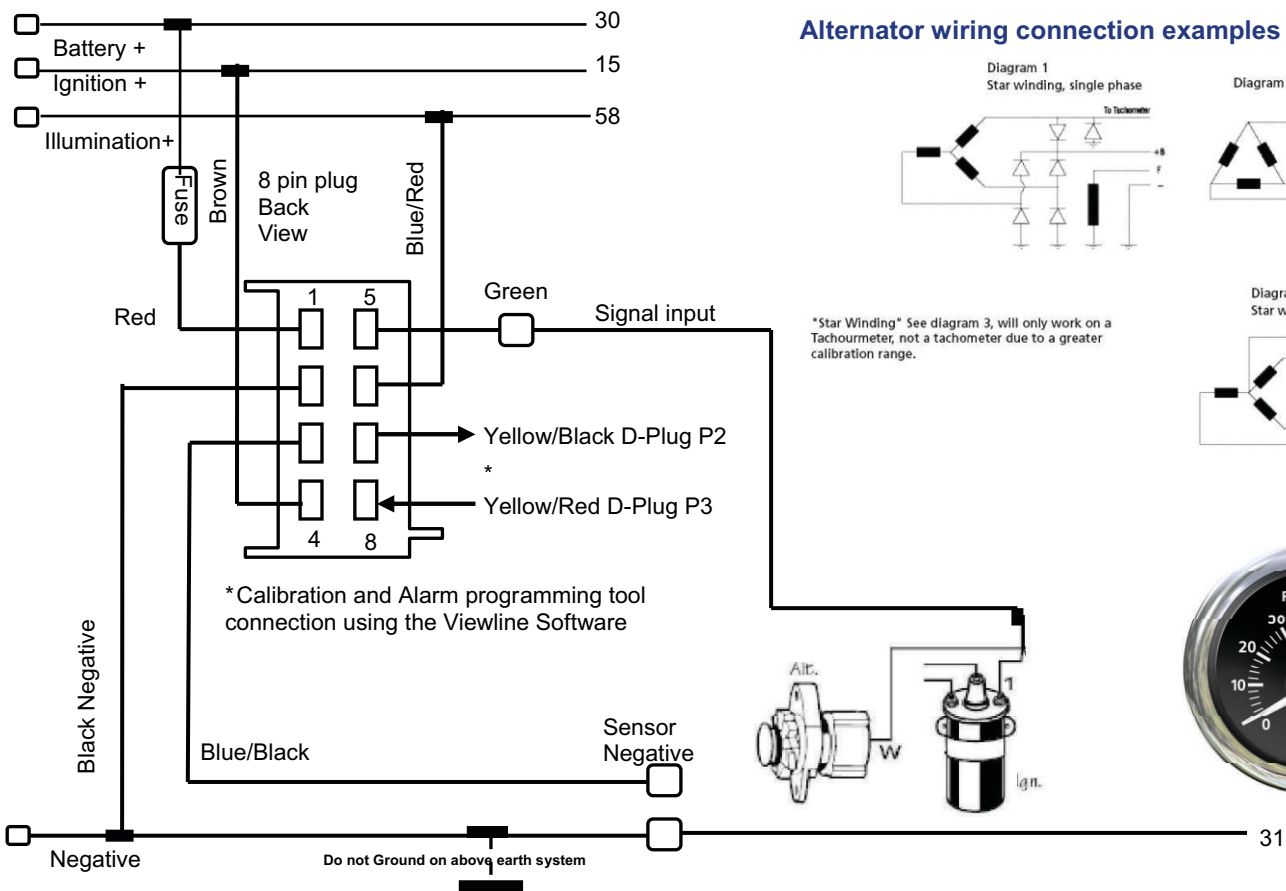
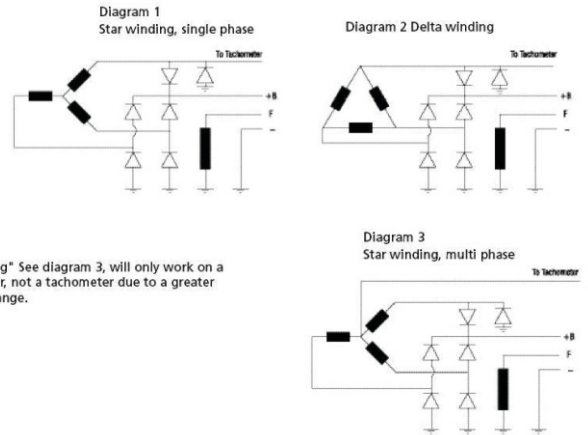


Tachometer electrical diagram



Alternator wiring connection examples



Star Winding See diagram 3, will only work on a Tachourmeter, not a tachometer due to a greater calibration range.



The tachometer can only be calibrated using the VDO Viewline Software p/n A2C50515259 & p/n 111.000 plus an Agreement issued by a VDO Partner (in each State), must be signed.

For software enquiry, contact Continental Pty Ltd, Customer Service 03 94681151.

Note: Tachometer will not operate off a Magneto signal.